

**Modular Cooking Range Line  
EVO900 400 mm Open Base  
1/2 Module**

ITEM # \_\_\_\_\_

MODEL # \_\_\_\_\_

NAME # \_\_\_\_\_

SIS # \_\_\_\_\_

AIA # \_\_\_\_\_



391153 (E9BAND000)

Open base, 1/2 module

**Short Form Specification****Item No.** \_\_\_\_\_

To be installed below other EVO900 top units in island type installations with operations from one side. Open base to store pots, pans, sheet pans etc. Body and internal structure of unit entirely in stainless steel. Delivered with 150 mm height adjustable feet.

**Main Features**

- Unit can be easily installed below other 900 line top models.
- Unit delivered with 50 mm height adjustable feet in Stainless steel.
- Open base compartment for storage of pots, pans, sheet pans, etc.
- Doors with handles, drawers, heating kits and runners for GN containers can be ordered separately.

**Construction**

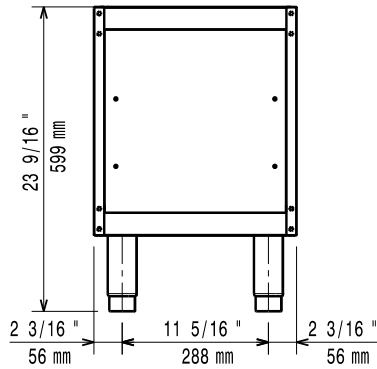
- Constructed in Stainless steel with Scotch Brite finish to meet the highest hygiene standards.
- Unit is 930 mm deep to give a larger working surface area.

APPROVAL: \_\_\_\_\_

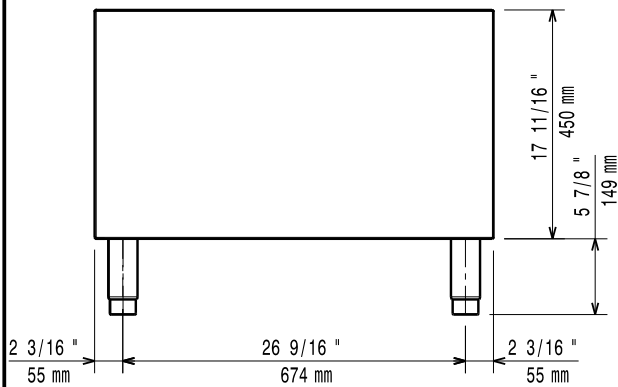
### Optional Accessories

• 4 wheels, 2 swivelling with brake (EVO700/900). It is mandatory to install with base supports for feet/wheels.	PNC 206135	<input type="checkbox"/>
• Flanged feet kit	PNC 206136	<input type="checkbox"/>
• 2 supports runners for open base 400 mm for GN1/1	PNC 206145	<input type="checkbox"/>
• Frontal kicking strip for concrete installation, 400 mm	PNC 206147	<input type="checkbox"/>
• Frontal kicking strip for concrete installation, 800 mm	PNC 206148	<input type="checkbox"/>
• Frontal kicking strip for concrete installation, 1000 mm	PNC 206150	<input type="checkbox"/>
• Frontal kicking strip for concrete installation, 1200 mm	PNC 206151	<input type="checkbox"/>
• Frontal kicking strip for concrete installation, 1600 mm	PNC 206152	<input type="checkbox"/>
• Frontal kicking strip, 400 mm	PNC 206175	<input type="checkbox"/>
• Frontal kicking strip, 800 mm	PNC 206176	<input type="checkbox"/>
• Frontal kicking strip, 1000 mm	PNC 206177	<input type="checkbox"/>
• Frontal kicking strip, 1200 mm	PNC 206178	<input type="checkbox"/>
• Frontal kicking strip, 1600 mm	PNC 206179	<input type="checkbox"/>
• Pair of side kicking strips	PNC 206180	<input type="checkbox"/>
• 2 panels for service duct (single installation)	PNC 206181	<input type="checkbox"/>
• 2 panels for service duct (back to back installation)	PNC 206202	<input type="checkbox"/>
• 4 feet for concrete installation (not for 900 line freestanding grill)	PNC 206210	<input type="checkbox"/>
• Electric heating kit for cupboards	PNC 206259	<input type="checkbox"/>
• 2 side covering panels, height 700 mm, depth 900 mm	PNC 206335	<input type="checkbox"/>
• Door for open base cupboard	PNC 206342	<input type="checkbox"/>
• 2 drawers for open base, height 100 mm	PNC 206361	<input type="checkbox"/>
• Base support for feet or wheels - 400mm (EVO700/900)	PNC 206366	<input type="checkbox"/>
• Base support for feet or wheels - 800mm (EVO700/900)	PNC 206367	<input type="checkbox"/>
• Base support for feet or wheels - 1200mm (EVO700/EVO900)	PNC 206368	<input type="checkbox"/>
• Base support for feet or wheels - 1600mm (EVO700/900)	PNC 206369	<input type="checkbox"/>
• Base support for feet or wheels - 2000mm (EVO700/900)	PNC 206370	<input type="checkbox"/>
• Rear paneling - 600mm (EVO700/900)	PNC 206373	<input type="checkbox"/>
• Rear paneling - 800mm (EVO700/900)	PNC 206374	<input type="checkbox"/>
• Rear paneling - 1000mm (EVO700/900)	PNC 206375	<input type="checkbox"/>
• Rear paneling - 1200mm (EVO700/900)	PNC 206376	<input type="checkbox"/>
• Base support for feet/wheels (600mm)	PNC 206431	<input type="checkbox"/>

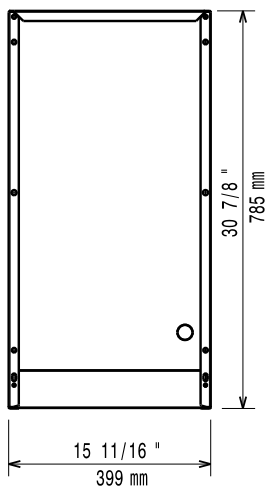
**Front**



**Side**



**Top**



**Key Information:**

External dimensions, Width: 391153 (E9BAND0000)	400 mm
External dimensions, Depth:	785 mm
External dimensions, Height:	600 mm
Net weight:	22 kg